

T105900

STUDIO S

STUDIO® S BATHTUB FAUCET WITH LEVER HANDLES FOR FLASH® ROUGH-IN VALVE





*American
Standard*

STANDARD SPECIFICATION:

- Metal construction
- Metal lever handles
- For use with Flash® bathtub faucet rough-in valve R900
- Valve sold separately



AVAILABLE FINISHES:

T105900.002		Polished Chrome
T105900.243		Matte Black
T105900.295		Brushed Nickel
T105900.GN0		Brushed Cool Sunrise

CERTIFICATIONS:



- ADA
- Massachusetts Plumbing Board Approved
- CSA B125.1
- ASME A112.18.1

NOTE: Install this product according to the installation guide. ADA, CSA compliant when installed to the specific requirements of these regulations.

We reserve the right to make revisions without notice to product specifications. 12-05-2024

US

Tel: 1.855.815.0004

For the most current Specification Sheet,
go to <https://www.americanstandard-us.com>.

Canada

Tel: 855.836.9615

For the most current Specification Sheet,
go to <https://www.americanstandard.ca>.

PART OF **LIXIL**

T105900

STUDIO S



STUDIO® S BATHTUB FAUCET WITH LEVER HANDLES FOR FLASH® ROUGH-IN VALVE

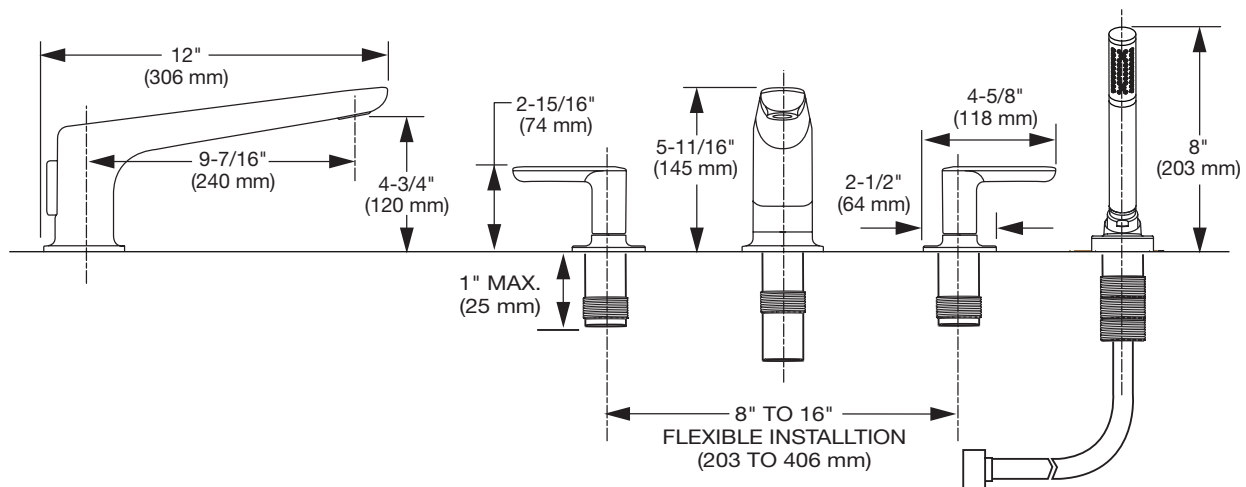
TECHNICAL DATA:

Product Height	7.63 in (193.8 mm)
Product Length	10 in (254 mm)
Product Width	18.31 in (465.07 mm)
Fitting Spout Height	4.88 in (123.95 mm)
Fitting Spout Reach	8 in (203.2 mm)
GPM (Min)-GPM (Max)	1.8 GPM
Fitting No of Holes Required	3
Product Weight	5.185 lb/5.181 lb

PRODUCT COMPONENTS:

REQUIRED COMPONENTS:

R900-FLASH ROMAN TUB FILLER ROUGH



NOTE: Install this product according to the installation guide. ADA, CSA compliant when installed to the specific requirements of these regulations.

We reserve the right to make revisions without notice to product specifications. 12-05-2024

US
Tel: 1.855.815.0004

For the most current Specification Sheet,
go to <https://www.americanstandard-us.com>.

Canada
Tel: 855.836.9615

For the most current Specification Sheet,
go to <https://www.americanstandard.ca>.

PART OF LIXIL